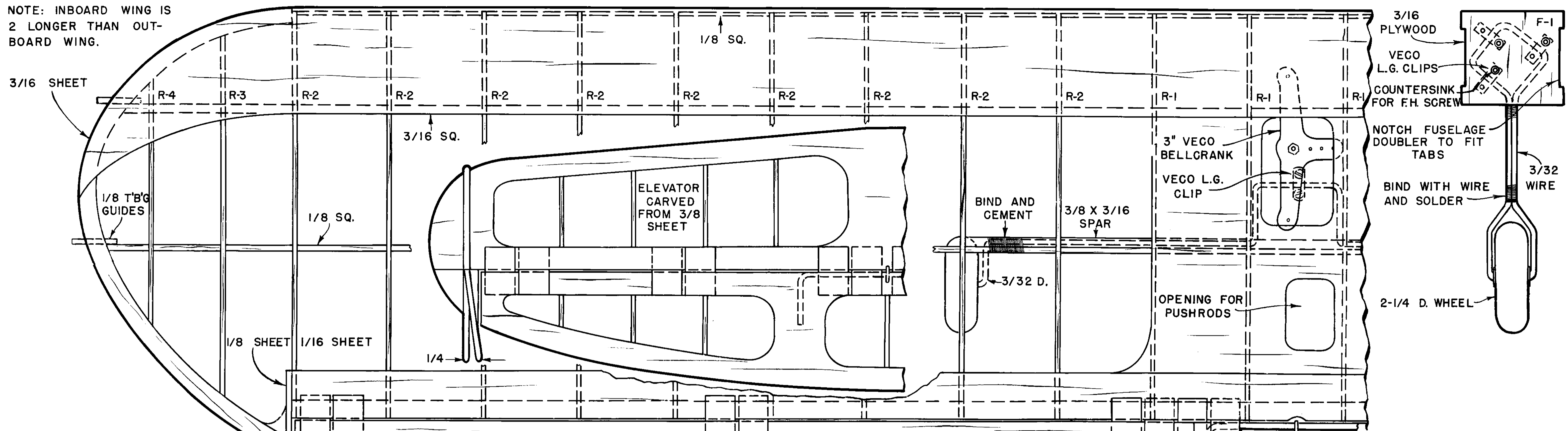
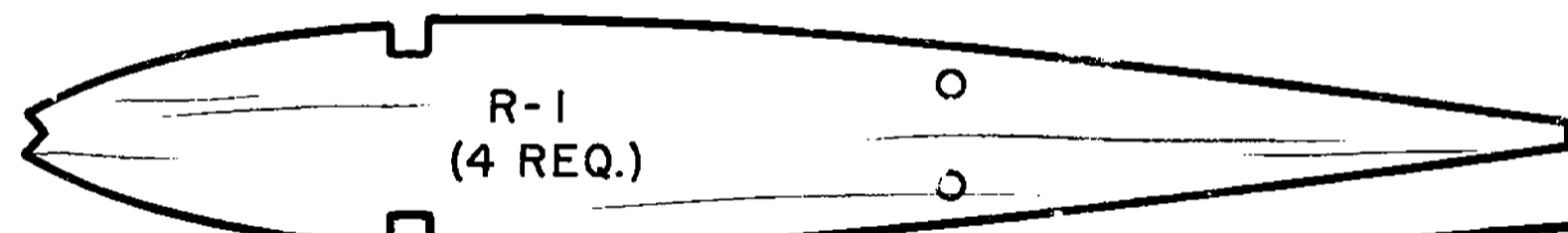
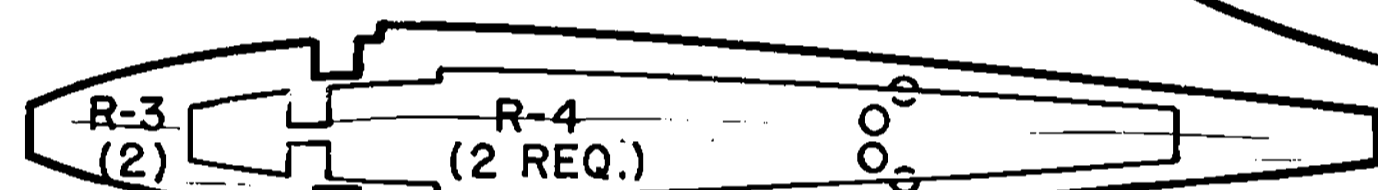


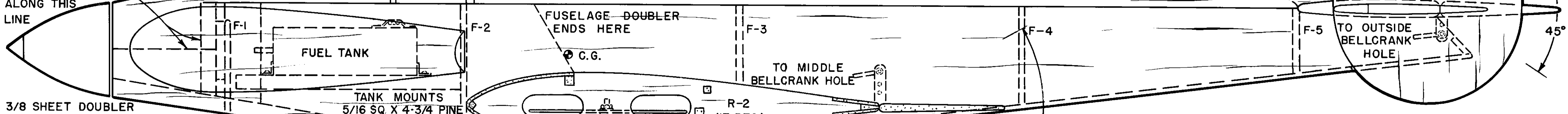
NOTE: INBOARD WING IS 2 LONGER THAN OUTBOARD WING.



ALL RIBS 3/32 SHEET



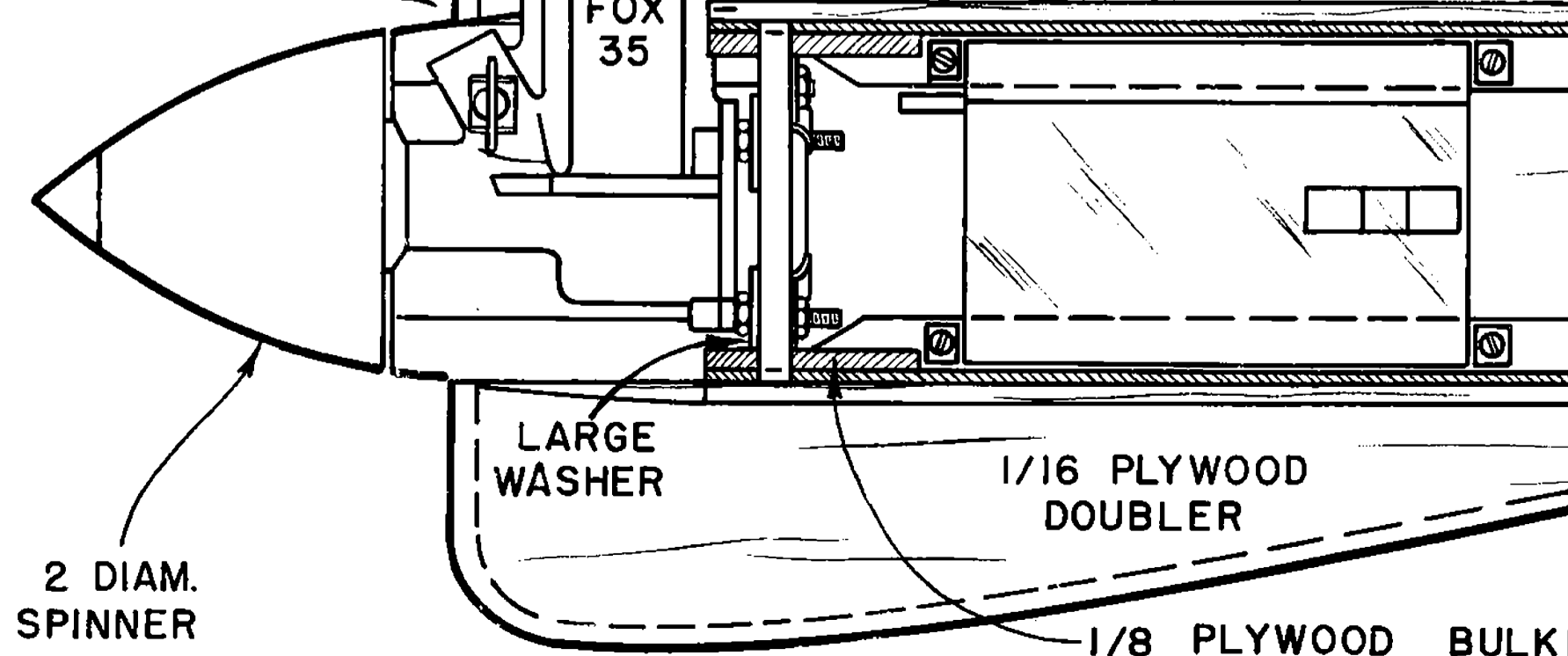
HATCH SEPARATES ALONG THIS LINE



3/8 SHEET DOUBLER

TOP HALF OF COWL REMOVES WITH HATCH BLOCK

CUT OPENING



CARVE COWLS FROM 1-3/4 SQ. X 7 BLOCKS

1/8 PLYWOOD MOUNTING

3/32 SHEET BOTTOM GRAIN ACROSS FUSELAGE

HOLE FOR PUSHROD

FUSELAGE FORMERS 1/8 SHEET

2 DIAM. WHEEL

LEATHER FILLETS (SEE TEXT)

BOB PALMER'S MARS

WENNERSTROM